

# Power & Power Curbers & Pavers

Our Commitment Shows

**150 Extruder**



# About Power Curbers

## Our Commitment Shows

*Power Curbers was established in 1953 and has been the leader in slipform machines for more than 65 years. Based in Salisbury, NC, USA, Power Curbers is a global provider with machines located in over 100 countries.*



Power Curbers Salisbury, NC, USA, manufacturing facility.

### **The Power Curbers Way**

Power Curbers Companies is driven to be the premier slipform machine manufacturer in the world known for our outstanding customer support, quality products, and committed company Associates. Everything we do revolves around four core principles.

**People** – Our Associates are the key to our success. Beginning with a selective hiring process and thorough training program, we put our people in a position to make a difference for the company and its customers. We create an atmosphere of a family environment, with safe working conditions and career advancement opportunities for all.

**Customer Experience** - Without our customers we do not exist. We strive to spoil them with outstanding product and parts support, technical expertise, and professional training. Exhibiting integrity in everything we do and demonstrating an unmatched desire to please customers drives every interaction. Since 1953, we demonstrate daily that “Our Commitment Shows.”

**Products** - We seek to provide the industry with innovative, high quality, simple-to-operate machinery.

**Outstanding Processes** - In all areas of the company, we are committed to Lean practices. We seek to continuously improve in all business processes, knowing that we never arrive.

Power Curbers manufactured the world’s first automatic curb machine. The original machines, extruders are still built today as the Power Curber 150 Extruder. Thank you for your interest in Power Curbers and Power Pavers. We are excited to prove that “Our Commitment Shows.”



Welcome to Power Curbers.



Training Center at Power Curbers manufacturing facility.

# Industry Leading Experience

## Maximizing Productivity with Extruded Curb

Power Curbers pioneered the extruded curb concept in the early 1950s and has been building extruders for over 60 years.

For jobs that require less expensive scab-on curb, the 150 extruder is ideal.

The mix is fed into the hopper either directly from the truck chute or by wheelbarrow, and is then extruded through a specially-designed mold. The result is a free-standing, structurally sound curb with a smooth finish.

Extruded curb is best placed on top of existing pavement or on a smooth, flat, 95% compacted sub-grade. The 150 extruder can be used for either concrete or asphalt curbs.

### ▲ Powerful Engine

Two Honda engine options provide plenty of power to handle hills and curves in parking lots or along streets.

### ▲ Easy Controls

The 150 features an electric start with the throttle control mounted on the steering handle for easy access from the front of the machine. The steering handle ensures smooth control and easy guidance of the machine from the left- or right-hand position.

### ▲ Simple Design

The 9 pneumatic tires and 3 lifting jacks make steering and adjusting on the job easy to do. For pouring over an adhesive or for inserting rebar, simply shift the front wheels to the side.

### ▲ Molds

The 150 can handle molds up to 12" (30 cm) wide and 12" (30 cm) tall. Choose from one of our stock profiles or contact our mold engineers to customize a mold to meet your requirements.



Curves and hills are no problem for the 150.



The standard hollow-shaft auger can be used for feeding longitudinal rebar through the mold.



Best used on existing pavement, the 150 is ideal for parking lot work.



The 150 can be used to pour either concrete or asphalt curb. The pneumatic tires (left) are standard. The hard rubber wheels (right) are an option.



For jobs that require less expensive scab-on curb, extruded curb can be the ideal solution.



The extrusion process propels the machine forward.



The 150 is easy to operate; one person steers while another ensures that the concrete or asphalt is reaching the auger.



Three lifting jacks make adjusting on the fly quick and easy.



Using a chalk or paint line on the ground as a guide, the operator has a clear view of the path in front of the machine.



The 150 can pour clean, straight curb on a subgrade of 95% compaction, or on existing pavement.

# Unique Applications

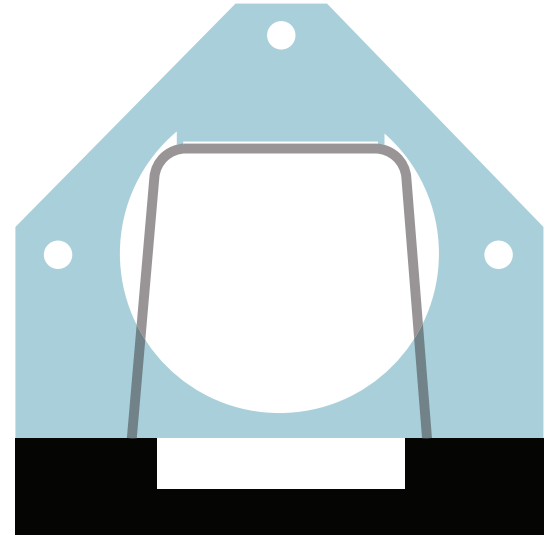
## 150 Extruder Adapts to Your Job



The front wheels of the 150 can be shifted to allow the machine to pour over a trench.



Trench curb can easily be poured with the 150 extruder.



The width of the trench must be less than the width of the mold.

### ▲ Trench Curb

In some applications, you may need to extrude curb over a trench. This is done to help secure the concrete curb to the subgrade on which it is being poured. This can be done easily with the 150, as long as the width of the trench is less than the width of the curb mold.

Some operators pour trench curb in one pass, with the trench filling as the curb is formed. Others fill the trench first and then extrude the curb on top of it while the concrete in the trench is still wet. Either method will result in curb that is securely anchored.

Pouring over a trench requires that the forecarriage on the machine be shifted to the side to allow the wheels to run beside the trench.

### ▲ Pouring Over Pins

The 150 can be used to pour over steel reinforcing pins or dowels embedded in the asphalt subgrade. This type of reinforcement helps anchor scab-on curb onto the asphalt.

This requires modifications to both the machine and mold, and pin height is limited by the height of the mold.

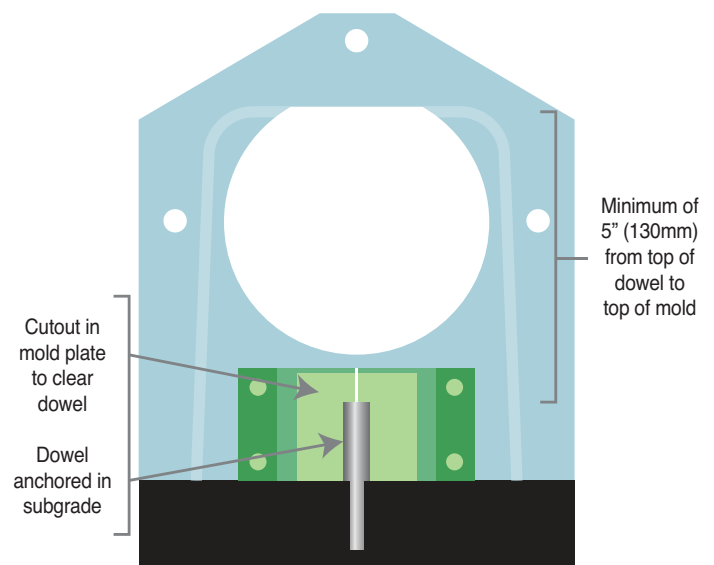
The mold must be designed with a slot to allow the pins to pass through the mold during pouring.

### ▲ Other Methods of Adhering to Subgrade

Some contractors use construction adhesives to give their extruded curb extra hold onto the pavement surface.

Another common tack technique is to use emulsified asphalt painted or poured onto the asphalt surface in front of the machine while pouring.

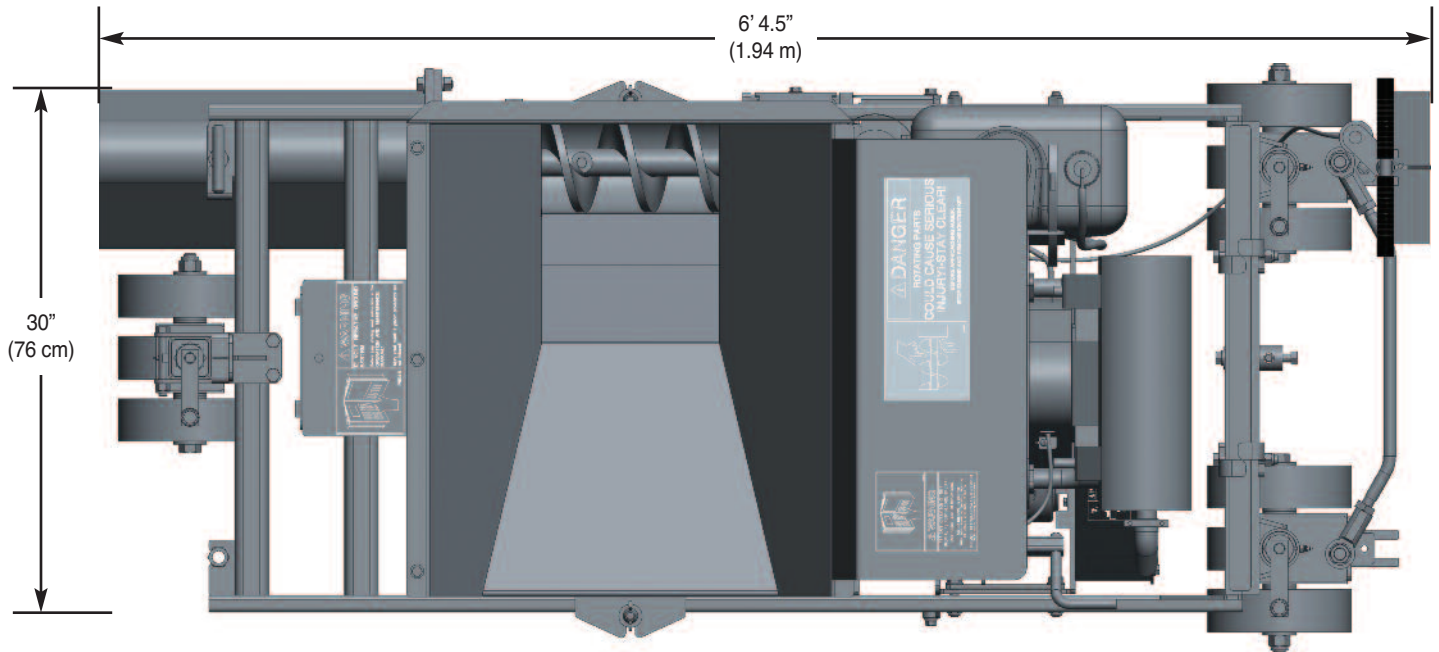
Still another way to secure your curb is to pound dimples into the subgrade and then extrude the curb over the dimples.



The maximum dowel height is the height of the mold minus the diameter of the auger, minus one inch (25 mm). There must be a minimum of 5" (130 mm) from the top of the dowel to the top of the mold.

# 150 Extruder

## Specifications & Options



### ▲ Engine

- Type:** Honda GX630R, 4-cycle air-cooled, electric start
- Power:** 20.8 hp (15.5 kW) @ 3,600 rpm
- Optional:** Honda GX390 4-cycle air-cooled, recoil start
- Power:** 11.7 hp (8.7 kW) @ 3,600 rpm

### ▲ Drivetrain

- Centrifugal clutch with V-belt drive and chain-driven auger
- Single auger drive with compaction chamber

### ▲ Steering & Elevation

- High-flotation design with 9 pneumatic tires and 3 lifting jacks
- Option:** Hard rubber wheels in lieu of pneumatic tires

### ▲ Auger

- 6" hollow-shaft steel auger with 5/8" interior dimension. Can be used for feeding longitudinal rebar through the mold (3/8" [10 mm] maximum rebar diameter).
- Options:** 5" hollow-shaft steel auger, for small profile molds; 6" cast auger (solid shaft).
- Spare augers available in all sizes.

### ▲ Mold

- 1 curb mold included
- Options:** Extra molds available

### ▲ Paving Specifications

- Paving Speed (Maximum):**
  - 20.8 hp (15.5 kW):** 25 ft/min (7.6 m/min)
  - 11.7 hp (8.7 kW):** 15 ft/min (4.6 m/min)
- Curb Width:** 12" (30 cm) maximum
- Curb Height:** 12" (30 cm) maximum
- Clearance:** Within 1" (2.5 cm) of obstructions
- Radius (minimum):** 24" (60 cm)

### ▲ Hopper Capacity

- 4 cubic feet (0.1 cubic meters)

### ▲ Dimensions

- Length:** 6' 4.5" (1.94 m) with steering handle upright (8' 5" with steering handle in the brake position)
- Width:** 30" (76 cm)
- Height:** 32.5" (83 cm)
- Weight:** **20.8 hp (15.5 kW):** 950 lb (431 kg)
- 11.7 hp (8.7 kW):** 800 lb (363 kg)

### ▲ Other Optional Equipment

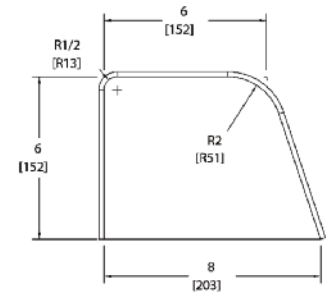
- Dual-side Pouring:** Second mold, auger, housing, compaction chamber, and shaft for left- or right-side extrusion
- Under Guardrail Pouring:** Offsets the mold, auger housing and compaction chamber to pour underneath an existing guardrail. Consult factory for specific applications.

# Stock Molds

We stock a variety of commonly used molds for quick ordering or send us a drawing of your mold requirements.

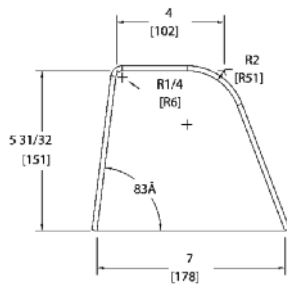
## MOLD NUMBER 15-381-L

ESTIMATED YIELD  
84.5 ft/yd  
33 m/cu m



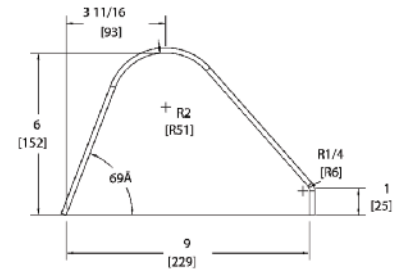
## MOLD NUMBER 15-011-L

ESTIMATED YIELD  
107.5 ft/yd  
42.8 m/cu m



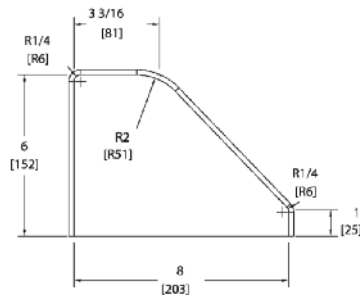
## MOLD NUMBER 15-C-L

ESTIMATED YIELD  
97 ft/yd  
39 m/cu m



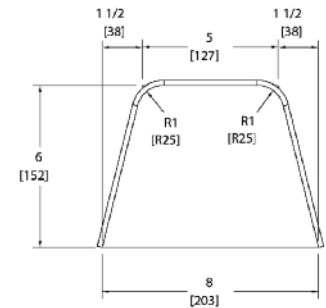
## MOLD NUMBER 15-019-L

ESTIMATED YIELD  
97 ft/yd  
39 m/cu m



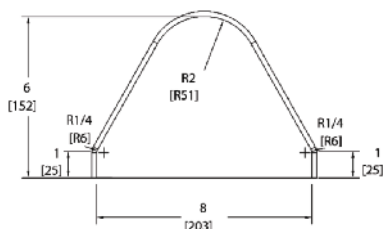
## MOLD NUMBER 15-D-7-L

ESTIMATED YIELD  
90 ft/yd  
36 m/cu m



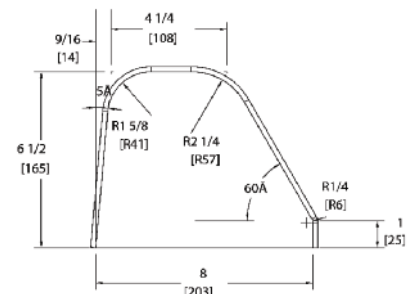
## MOLD NUMBER 15-070-L

ESTIMATED YIELD  
103 ft/yd  
41.5 m/cu m



## MOLD NUMBER 15-K-L

ESTIMATED YIELD  
96 ft/yd  
38.4 m/cu m



# Power Curbers Family Of Products

Your Single Source for all your Concrete Paving Needs



▲ Power Pavers SF-1700 and SF-2700 Slipform Pavers



▲ Power Pavers Full-Sized, 4-Track SF-2404 Slipform Paver



▲ Power Curbers 7700 Multipurpose Slipform Machine Paving



▲ Power Curbers 7700 Multipurpose Slipform Machine Pouring Variable Barrier



▲ Power Pavers TC-2700 Texture/Curing Machine



▲ Power Curbers 5700-D Slipform Machine



▲ Anvil American Stringline Accessories

## Power & Power Curbers & Pavers

**Our Commitment Shows**

727 Bendix Drive, Salisbury, NC USA 28146  
P.O. Box 1639, Salisbury, NC USA 28145-1639  
Tele: (704) 636-5871 Fax: (704) 633-8140  
Email: [info@powercurbers.com](mailto:info@powercurbers.com)  
[www.powercurbers.com](http://www.powercurbers.com)