

KIRPY

The stone clearance specialist

Strong point of BPB / BPB-S

- Double drive with belts.
- Sealed bearings + chicanes.
- Its solid full steel rotor can be fitted with standards or carbide hammers.
- Hydraulically adjustable anvil with hydro-pneumatic safety feature.
- Main frame in high elasticity steel.
- Hydraulically control rear door.
- Armour plating in Hardox.

Specific characteristics of BPB-S

- Finer crushing.
- Small costs of utilisation.
- Easier change of hammers.



Recycling of materials

Technical specifications

	BPB 200	BPB 250	BPB-S 200	BPB-S 250
Working width (m)	1,80	2,44	1,80	2,44
Feed input height (cm)	44	44	44	44
Weight (kg)	2350	3250	2350	3250
Minimum power (HP)	100	120	90-100	120-130
Number of hammers	8	12	16	24
Number of belts	2 x 6 XPB	2 x 6 XPB	2 x 6 XPB	2 x 6 XPB
PTO (rpm)	1000	1000	1000	1000

Indicative informations.

AG 2013 - RCS AGER 438 039 041 - www.3dempeur.com - 53055 53 48 21 11

KIRPY



The stone clearance specialist

Agricultural, Forestry and Public works



BPB/BPB-S

KIRPY

Avenue de la Gare - BP 2 - 47390 LAYRAC - FRANCE
 Tél. 33 (0)5 53 87 00 02 - Fax. 33 (0)5 53 87 10 02
 www.kirpy.com - info@kirpy.com

Dealer



STONE CRUSHERS
www.kirpy.com

BPB
200 - 250
BPB-S
200 - 250



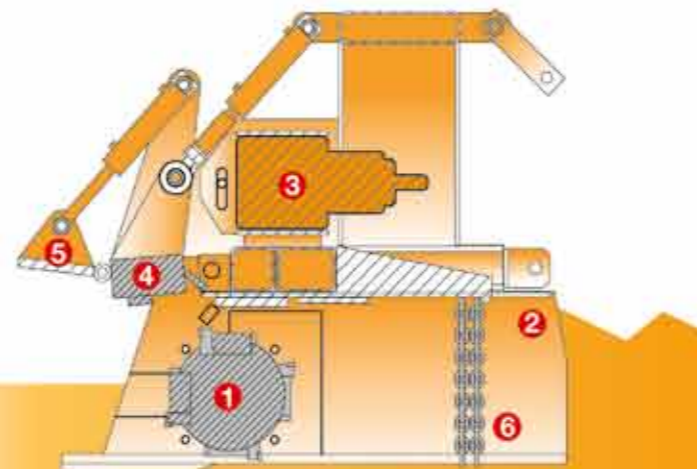
Agricultural and Public works

KIRPY is continually researching, innovating and testing its equipment for ever increasing levels on the renowned reliability.

KIRPY, which is always ready to listen to professional in public works, agricultural or the mountains, KIRPY is widening its range to include **BPB** and **BPB-S** crushers with their adjustable and retractable anvil and rear door hydraulic.

Frame of BPB and BPB-S

- 1 Rotor
- 2 Entrance
- 3 Transmission
- 4 Controlled breaker anvil
- 5 Hydraulic expansion flap
- 6 Chains of protection



Huge capacity of crushing

The **BPB** / **BPB-S** are in their element working on either swathed or unworked ground. Its low power requirement means it's suitable for many sites.



BPB-S Rotor :
Standards or carbide hammers



BPB Rotor :
Standards hammers



BPB Rotor :
Carbide hammers



Crushing in full or on swaths

Reliability - robustness

Crushing platforms



Creation and repairs to forest paths or fire breaker



Adjustable and retractable anvil



Transmission : Double drive system with special belts