

# EPOMINI



EpoMini 20



EpoMini 5



– de-icing of roads!

# EPOMINI

## Technical data and dimensions

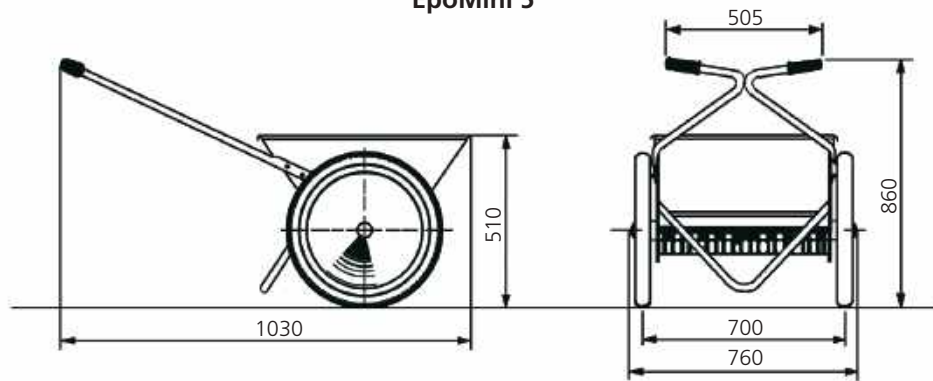
	EpoMini 5	EpoMini 20
<b>Hopper capacity:</b>	app. 50 liters	app. 200 liters
<b>Spreading width:</b>	550 mm	800 mm
<b>Total width:</b>	760 mm	1065 mm
<b>Weight:</b>	30 kg	75 kg
<b>Cruising radius per filling</b>		
<b>Salt:</b>	app. 5 km	app. 15 km
<b>Sand:</b>	app. 1 km	app. 2-3 km
<b>Standard equipment:</b>	Agitator, rubber base, spring base adjustment, transmission and wheels.	

### Features:

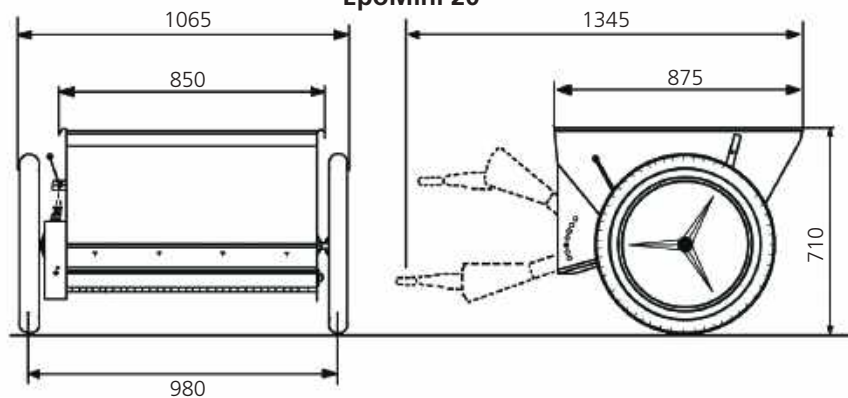
EpoMini is equipped with the Epoke metering system consisting of an impellor, a delivery roller and a spring loaded rubber base which ensure an accurate and homogeneous distribution along the full width of the spreader.

Like all other Epoke machines, EpoMini features surface treatment consisting of sandblasting, zinc dust priming, 2-component polyurethane base coat and a 2-component top coat.

EpoMini 5



EpoMini 20



Epoke® A/S  
 Vejervej 50, Askov  
 DK-6600 Vejen  
 Tel. +45 76 96 22 00  
 Fax +45 75 36 38 67  
 epoke@epoke.dk  
 www.epoke.dk



In order to maintain the high and uniform product standard Epoke® A/S has been certified by Lloyd's register to ISO 9001:2008.  
 TLG B-3 approval  
 GS approval  
 E1 approval  
 RoHS directive  
 WEEE directive

