

# ABG 8820

## ASPHALT PAVERS TRACKED

EU STAGE V



### Big projects

- High level performance on large paving projects with up to 13-metre paving width
- Outstanding machine stability; excellent surface contact with long and wide tracks
- Premium Volvo (Deutz) Stage V engine provides prominent power for big projects
- Best performance with versatile applications of asphalt, concrete and CTB paving

### Operator's choice

- EPM3: intuitive control with a bird's eye view of a paver on the display
- Consistent, high-quality paving; transfer data from job-to-job with the Settings Manager
- Pave Assist with Thermal Profiling, Weather View and Material Manager
- Adaptive Eco Mode and optimized RPM reduce noise levels and fuel consumption
- Unhampered visibility around the paver
- Different optional lighting kits boost safety when working at night
- Smart Dock option: Remote controlled light bars provide visual signals to the tipper driver

### Enduring quality

- Optimum material flow with a big conveyor tunnel for up to 1100 t/h
- Auto track tensioner for directional stability\*
- Soft Dock option for push rollers: absorb shocks and continue to oscillate at the same time

- Screed load device prevents start-off bumps at large paving widths\*
- Screed tensioning device locks torsional stiffness across the length of the screed\*

### Screeds for ultimate paving results

- Paving a width up to 13 meters with fixed screeds (single or double tamper)
- Vario screed ends available for fixed screeds
- Special crown profiles in road surfaces with VB 79/89 or VDT-V 79/89
- Quick-coupling for easy vario screed extension assembly\*
- Fully hardened tamper bars significantly extend lifetime
- Double tamper screeds offer the highest levels of pre-compaction density behind the screed
- Hydraulic endgates, featuring power float (option)

### Focus on uptime

- Service Interval Manager notifies the operator of required maintenance
- CareTrack advanced telematics system
- Service access from the platform provides ease of maintenance
- MATRIS provides expert analysis of machine operating activity
- ABG service kits save time, lower costs and offer the latest technical advantages

*\*AN ABG EXCLUSIVE FEATURE*

**AMMANN**

# ABG 8820

## EU Stage V

| ENGINE             | ABG 8820      |       |
|--------------------|---------------|-------|
| MANUFACTURER       | Volvo (Deutz) |       |
| MODEL              | D8J           |       |
| FUEL               | Diesel        |       |
| OUTPUT             | kW            | 200   |
|                    | hp            | 272   |
| AT ENGINE SPEED    | r/min         | 2 000 |
| COOLANT            | Liquid        |       |
| FUEL TANK CAPACITY | l             | 250   |
| EXHAUST EMISSION   | EU Stage V    |       |

| PAVING                |     |       |
|-----------------------|-----|-------|
| OUTPUT (THEORETICAL)* | t/h | 1 100 |
| MAT THICKNESS (MAX)   | mm  | 300   |

\*The actual paving output depends upon the mat thickness, the paving width and paving speed and will vary according to paving conditions prevailing on your jobsite.

| SPEED           |       |     |
|-----------------|-------|-----|
| PAVING (MAX)    | m/min | 20  |
| TRANSPORT (MAX) | km/h  | 3.6 |

| CONVEYOR             |       |      |
|----------------------|-------|------|
| HOPPER CAPACITY      | t     | 14.7 |
| NUMBER OF CONVEYORS  | 2     |      |
| CONVEYOR SPEED (MAX) | m/min | 23   |

| AUGER       |       |     |
|-------------|-------|-----|
| SPEED (MAX) | 1/min | 150 |
| DIAMETER    | mm    | 360 |

## OPERATING WEIGHTS<sup>1</sup> OF SCREEDS IN KG<sup>2</sup> AT WORKING WIDTH

| ABG 8820     | 2.5 m | 4 m | 5 m   | 6 m   | 6.5 m | 7.5 m | 8 m   | 8.5 m | 9 m   | 9 m (V) | 10 m  | 11 m  | 12 m   | 12 m (V) | 13 m   |
|--------------|-------|-----|-------|-------|-------|-------|-------|-------|-------|---------|-------|-------|--------|----------|--------|
| VB 78 ETC    | -     | -   | 3 600 | -     | 5 222 | 5 802 | 6 342 | -     | 6 923 | -       | -     | -     | -      | -        | -      |
| VDT-V 78 ETC | -     | -   | 3 850 | -     | 5 592 | 6 192 | 6 832 | -     | 7 433 | -       | -     | -     | -      | -        | -      |
| VB 79 ETC    | -     | -   | 4 050 | -     | 5 672 | 5 252 | 6 922 | -     | 7 373 | -       | -     | -     | -      | -        | -      |
| VDT-V 79 ETC | -     | -   | 4 300 | -     | 6 042 | 6 642 | 7 282 | -     | 7 883 | -       | -     | -     | -      | -        | -      |
| VB 88 ETC    | -     | -   | -     | 4 050 | -     | 5 772 | -     | 6 352 | 6 892 | -       | 7 473 | -     | -      | -        | -      |
| VDT-V 88 ETC | -     | -   | -     | 4 450 | -     | 6 242 | -     | 6 842 | 7 482 | -       | -     | -     | -      | -        | -      |
| VB 89 ETC    | -     | -   | -     | 4 500 | -     | 6 222 | -     | 6 802 | 7 342 | -       | -     | -     | -      | -        | -      |
| VDT-V 89 ETC | -     | -   | -     | 4 800 | -     | 6 422 | -     | 7 242 | 7 882 | -       | -     | -     | -      | -        | -      |
| MB 122 ETC   | 2 242 | -   | -     | 4 456 | -     | 6 076 | -     | -     | 6 828 | 7 454   | 8 050 | 8 575 | 9 070  | 9 679    | 9 878  |
| VDT 121 ETC  | 2 442 | -   | -     | 4 903 | -     | 6 680 | -     | -     | 7 531 | 8 193   | -     | -     | 10 029 | 10 675   | 10 975 |

<sup>1</sup> Including auger extensions, channel plates, end gates, towing arms rear, etc.

<sup>2</sup> All screeds electrically heated

| WEIGHT       | ABG 8820 |        |
|--------------|----------|--------|
| TRACTOR UNIT | kg       | 17 350 |

All weights are approx. weights without options.  
Weight of the tractor includes front flap hopper, standard push rollers, generator, half-full fuel tank and 75 kg operator.

| MAX. ALLOWABLE GRADEABILITY |   |    |
|-----------------------------|---|----|
| TRACTOR UNIT + SCREED       | % | 25 |

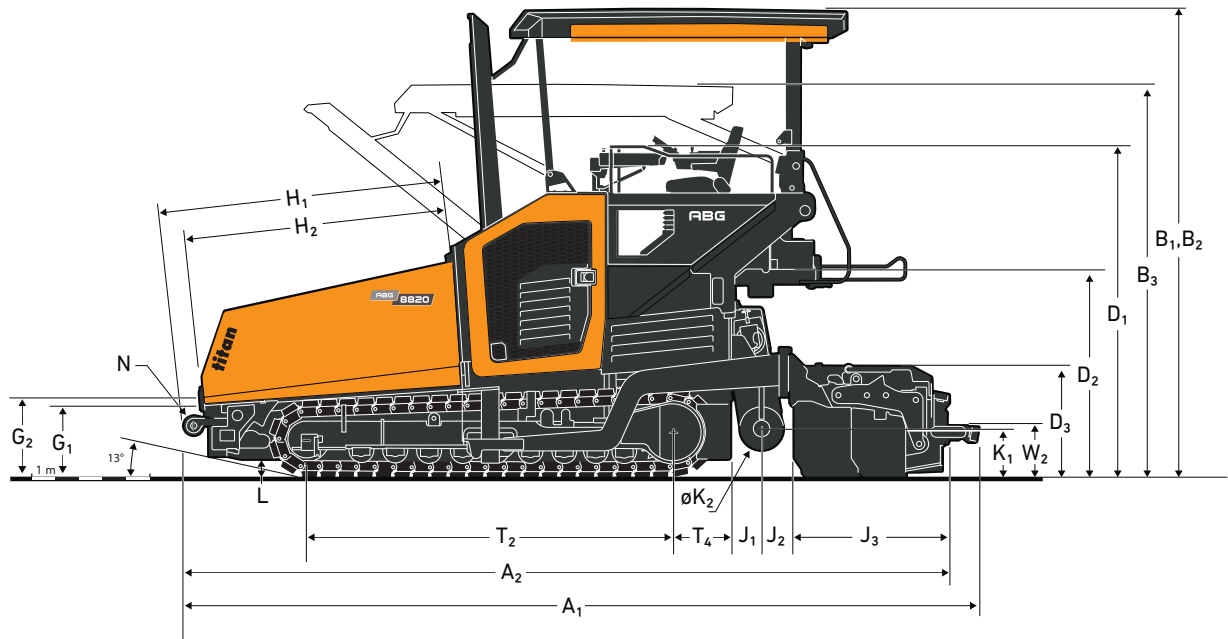
Applies to screed VB 78 2.5–5.0 m.  
When using extensions the max. allowable gradeability will be reduced.

| SOUND LEVEL  |    |     |
|--|----|-----|
| L <sub>PA</sub><br>Sound Pressure Level at Driver's Ear,<br>acc. to ISO 11201    | dB | 84  |
| L <sub>WA</sub><br>Guaranteed Sound Power Level,<br>acc. to Directive 2000/14/EC | dB | 106 |

| VIBRATION  |                  |      |
|--|------------------|------|
| HAND-ARM VIBRATION<br>according to ISO 5349:2001   | m/s <sup>2</sup> | <2.5 |
| WHOLE BODY VIBRATION<br>according to ISO 2631:1997 | m/s <sup>2</sup> | <0.5 |

| ELECTRICAL SYSTEM |   |    |
|-------------------|---|----|
| BATTERY VOLTAGE   | V | 24 |

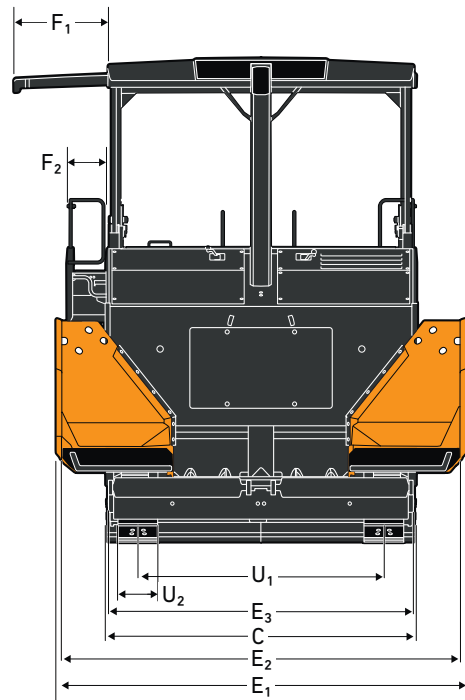
# TRACKED ASPHALT PAVERS



## DIMENSIONS [MM]

## ABG 8820

|                                 |                                 |           |
|---------------------------------|---------------------------------|-----------|
| A <sub>1</sub>                  | OPERATING LENGTH                | 6 696     |
| A <sub>2</sub>                  | SHIPPING LENGTH                 | 6 446     |
| B <sub>1</sub>                  | OPERATING HEIGHT                | 3 952     |
| B <sub>2</sub>                  | HEIGHT WEATHER ROOF             | 3 952     |
| B <sub>3</sub>                  | SHIPPING HEIGHT                 | 3 078     |
| C                               | TRACTOR WIDTH                   | 2 548     |
| D <sub>1</sub>                  | HEIGHT RAILING                  | 2 185     |
| D <sub>2</sub>                  | DECK HEIGHT                     | 1 782     |
| D <sub>3</sub>                  | SCREED HEIGHT                   | 937       |
| E <sub>1</sub>                  | OUTER HOPPER WIDTH              | 3 342     |
| E <sub>2</sub>                  | INNER HOPPER WIDTH              | 3 260     |
| E <sub>3</sub>                  | WIDTH OSCILLATING BEAM          | 2 495     |
| F <sub>1</sub>                  | EXTENSION WEATHER ROOF          | 770       |
| F <sub>2</sub>                  | SEAT CONSOLE EXTENSION          | 320       |
| G <sub>1</sub>                  | INNER LOADING HEIGHT            | 621       |
| G <sub>2</sub>                  | OUTER LOADING HEIGHT            | 749       |
| H <sub>1</sub>                  | HOPPER LENGTH TO PUSH ROLLER    | 2 335     |
| H <sub>2</sub>                  | HOPPER LENGTH                   | 2 168     |
| J <sub>1</sub>                  | DISTANCE REAR WALL AUGER CENTRE | 275       |
| J <sub>2</sub>                  | DISTANCE AUGER CENTRE SCREED    | 283       |
| J <sub>3</sub>                  | SCREED DEPTH                    | 1 297     |
| K <sub>1</sub>                  | AUGER HEIGHT TO GROUND (CENTER) | 422 ± 100 |
| K <sub>2</sub>                  | DIAMETER AUGER                  | 360       |
| L                               | GROUND CLEARANCE                | 166       |
| N                               | DIAMETER PUSH ROLLER            | 160       |
| O                               | CONVEYOR WIDTH                  | 1 430     |
| BASIC SCREED WIDTH VB78+VB79    |                                 | 2 500     |
| BASIC SCREED WIDTH VB88+VB89    |                                 | 3 000     |
| EXTENDED SCREED WIDTH VB78+VB79 |                                 | 5 000     |
| EXTENDED SCREED WIDTH VB88+VB89 |                                 | 6 000     |
| T <sub>2</sub>                  | TRACK LENGTH                    | 3 084     |
| T <sub>4</sub>                  | TRACK DISTANCE TO REAR WALL     | 475       |
| U <sub>1</sub>                  | TRACK GAUGE                     | 2 010     |
| U <sub>2</sub>                  | TRACK PAD WIDTH                 | 325       |
| W <sub>1</sub>                  | WIDTH OF WALKWAY                | 250       |
| W <sub>2</sub>                  | HEIGHT OF WALKWAY               | 428       |



# EQUIPMENT

## STANDARD EQUIPMENT

### Engine

- Volvo (Deutz) Diesel engine, EU Stage V

### Drive

- Electronic drive control
- Lifetime lubricated crawler track rollers
- Forged and hardened crawler track links
- Automatic track tensioner

### Material Management

- Heavy push rollers
- Proportional conveyor sensors
- Proportional ultrasonic sensor auger control
- Four individual hydrostatic drives for conveyors and augers
- Heavy duty auger
- Auger quick lock system
- Reversible direction of auger rotation
- Hydraulic auger height adjustment

### Electrics and electronics

- Electronic Paver Management (EPM 3)
- ECO mode
- Settings Manager
- Service Interval Manager

- Adjustable and revolving main control panel at operator platform

- Two adjustable and revolving screed control panels
- Battery master switch
- Electric switch cabinet
- MATRIS
- Generator for electric screed heating

### Structure

- All-weather roof of GRP (glass-fiber reinforced plastic)
- Two seats, laterally extendable
- Anti-vandalism kit
- Near field mirrors at weather roof
- ABG Key

### Screed

- Split towing arms
- Screed lock
- Hydraulic crown adjustment VB screeds
- Quick coupling system for Vario screeds

### Lights

- Operator's platform lighting
- Home light function

### Environmental

- Sound insulation

## OPTIONAL EQUIPMENT

### Material Management

- Smart Dock
- Soft Dock
- Individual operating hopper wings
- Hydraulically operated front apron
- Proportional ultrasonic sensor auger control
- Protective half shells for auger shaft
- Auger extensions and additional auger bearings
- Heavy duty conveyor cover
- Reversible conveyor
- Central lubrication
- Front track scraper hydraulic
- Feeder stop

### Electrics and electronics

- 230V power sockets
- Lateral emergency stop
- High ambient temperature fan
- CareTrack, GSM installation
- CareTrack, Satellite installation
- Pave Assist (Co-Pilot system)
- Smart View camera system
- Levelling equipment
- Transport case for EPM control panels
- On-board diagnostic function for manual screed heating bars
- White noise alarm

### Structure

- Deluxe seats with heating
- Front windscreen
- Tarpaulin side curtains for weather roof
- Custom colours
- Electrohydraulic powered weather roof
- Front ballast weight

### Screed

- Screed spacer blocks
- Screed assist
- Screed anti-climbing lock
- Screed load device
- Screed tensioning device
- Hydraulic height adjustment of extendable screed
- Special profiles VB 79, VB 89
- Hydraulically adjustable Power-Float screed end gates
- Heatable screed end gate
- Foldable screed walkway

### Lights

- Basic Kit Halogen
- Basic Kit LED
- Work Plus Kit LED
- Full Night Kit LED
- Warning beacons LED
- Two balloon lights LED

### Environmental

- High performance spray cleaning unit
- Biodegradable hydraulic oil
- Fume extractors
- Emulsion spraying system