

# ABG 6820 ABG 7820

## ASPHALT PAVERS TRACKED

EU STAGE V



### Total paver control

- EPM3: intuitive control with a bird's eye view of a paver on the display
- Consistent, high-quality paving; transfer data from job-to-job with the Settings Manager
- Pave Assist with Thermal Profiling, Weather View and Material Manager
- Lowest noise level in class simplifies communication with the paving team
- Unhampered visibility around the paver
- Different optional lighting kits boost safety when working at night

### Long-lasting paving performance

- Premium Volvo (Deutz) Stage V engine combines high torque and low RPM for superior, long-lasting performance
- Powertrain components are perfectly harmonised for high efficiency
- Adaptive Eco Mode matches engine output to demand
- Electronically adapted speed of the hydraulic cooling fan lowers noise and fuel consumption
- Pave Assist provides a powerful set of tools to improve performance, efficiency and paving quality
- Auto track tensioner for smooth paving starts\*

### Supreme screed technology

- ABG screeds deliver the best pavement quality, uniformity and smoothness
- Selection from a variety of single or double tamper screeds
- Special crown profiles in road surfaces with VB 79/89 or VDT-V 79/89
- Easy screed control with the clear screed panel design
- Quick-coupling for easy vario screed extension assembly\*
- Fully hardened tamper bars significantly extend lifetime

### Focus on uptime

- Service Interval Manager notifies the operator of required maintenance
- CareTrack advanced telematics system
- Service access from the platform provides ease of maintenance
- MATRIS provides expert analysis of machine operating activity
- ABG service kits save time, lower costs and offer the latest technical advantages

*\*AN ABG EXCLUSIVE FEATURE*

# ABG 6820 | ABG 7820

## EU Stage V

ENGINE		ABG 6820	ABG 7820
MANUFACTURER		Volvo (Deutz)	Volvo (Deutz)
MODEL		D6J	D8J
FUEL		Diesel	Diesel
OUTPUT	kW	140	175
	hp	190	238
AT ENGINE SPEED	r/min	2 000	1 800
COOLANT		Liquid	Liquid
FUEL TANK CAPACITY	l	250	250
EXHAUST EMISSION		EU Stage V	EU Stage V

### PAVING

OUTPUT (THEORETICAL)*	t/h	700	900
MAT THICKNESS (MAX)	mm	300	300

\*The actual paving output depends upon the mat thickness, the paving width and paving speed and will vary according to paving conditions prevailing on your jobsite.

### SPEED

PAVING (MAX)	m/min	20	20
TRANSPORT (MAX)	km/h	3.3	3.6

### UNDERCARRIAGE

LENGTH	mm	3 000	3 000
WIDTH (TRACK PLATES)	mm	300	300

### CONVEYOR

HOPPER CAPACITY	t	13.5	13.5
NUMBER OF CONVEYORS		2	2
CONVEYOR SPEED (MAX)	m/min	21	24

### AUGER

SPEED (MAX)	1/min	95	95
DIAMETER	mm	360	360

### OPERATING WEIGHTS<sup>1</sup> OF SCREEDS IN KG<sup>2</sup>

#### AT WORKING WIDTH

	2.5 m	5 m	6 m	6.5 m	7.5 m	8 m	8.5 m	9 m	9m(V)	10 m	11 m
<b>ABG 6820</b>											
VB 78 ETC	-	3 600	-	5 222	5 782	6 342	-	6 903	-	-	-
VDT-V 78 ETC	-	3 720	-	5 442	6 032	-	-	-	-	-	-
VB 79 ETC	-	3 730	-	5 352	5 912	6 472	-	7 033	-	-	-
VB 88 ETC	-	-	3 820	-	5 542	-	6 102	6 662	-	-	-
VDT-V 88 ETC	-	-	4 450	-	6 272	-	-	-	-	-	-
MB 122 ETC	2 242	-	4 456	-	6 076	-	-	6 828	7 454	8 050	8 575
<b>ABG 7820</b>											
VB 78 ETC	-	3 600	-	5 222	5 782	6 342	-	6 903	-	-	-
VDT-V 78 ETC	-	3 720	-	5 442	6 032	6 662	-	7 253	-	-	-
VB 79 ETC	-	3 730	-	5 352	5 912	6 472	-	7 033	-	-	-
VDT-V 79 ETC	-	4 100	-	5 822	6 412	7 072	-	7 633	-	-	-
VB 88 ETC	-	-	3 820	-	5 542	-	6 102	6 662	-	7 223	-
VDT-V 88 ETC	-	-	4 450	-	6 272	-	6 862	7 492	-	-	-
VB 89 ETC	-	-	4 200	-	5 922	-	6 482	7 042	-	-	-
VDT-V 89 ETC	-	-	4 570	-	6 392	-	6 982	7 612	-	-	-
MB 122 ETC	2 242	-	4 456	-	6 076	-	-	6 828	7 454	8 050	8 575
VDT 121 ETC	2 442	-	4 903	-	6 680	-	-	7 531	8 193	-	-

<sup>1</sup>Including auger extensions, channel plates, end gates, towing arms rear, etc.

<sup>2</sup>All screeds electrically heated

DIMENSIONS		ABG 6820	ABG 7820
LENGTH WITH VARIO SCREED (WALKWAY UP)	mm	6 120	6 120
WIDTH	mm	2 548	2 548
HEIGHT	mm	3 785	3 785
HEIGHT (TRANSPORT)	mm	2 934	2 934

### WEIGHT

TRACTOR UNIT	kg	14 350	14 900
--------------	----	--------	--------

All weights are approx. weights without options.

Weight of tractor without screed, with standard hopper, with fuel tank half full, with towing arms separated, with push roller D=110 mm, and incl. 75 kg driver.

### MAX. ALLOWABLE GRADEABILITY

TRACTOR UNIT + SCREED	%	25	25
-----------------------	---	----	----

Applies to screed VB 78 2.5–5.0 m.

When using extensions the max. allowable gradeability will be reduced.

### SOUND LEVEL

$L_{pA}$ Sound Pressure Level at Driver's Ear, acc. to ISO 11201	dB	82	82
---	----	----	----

$L_{WA}$ Guaranteed Sound Power Level, acc. to Directive 2000/14/EC	dB	105	105
--	----	-----	-----

### VIBRATION

HAND-ARM VIBRATION according to ISO 5349:2001	m/s <sup>2</sup>	<2.5	<2.5
WHOLE BODY VIBRATION according to ISO 2631:1997	m/s <sup>2</sup>	<0.5	<0.5

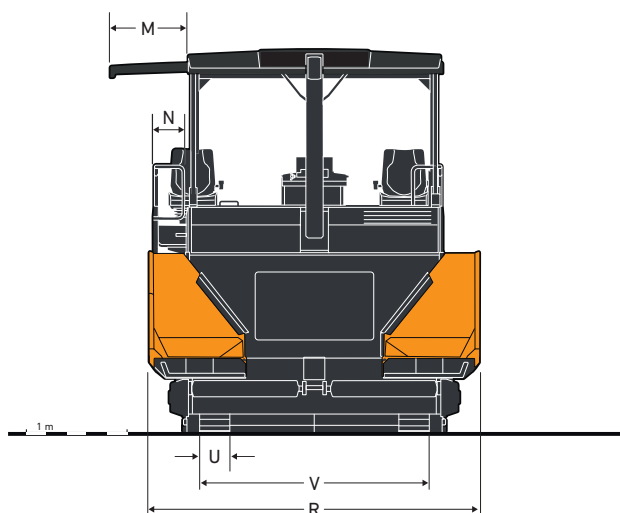
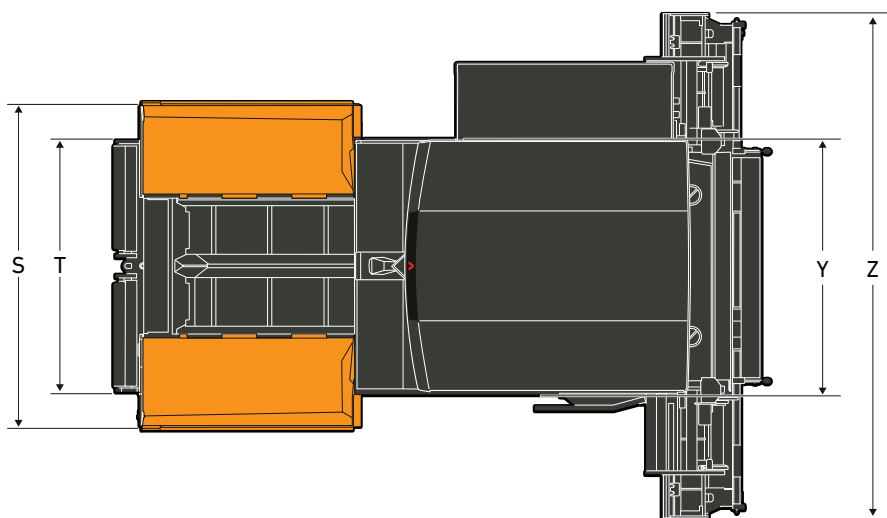
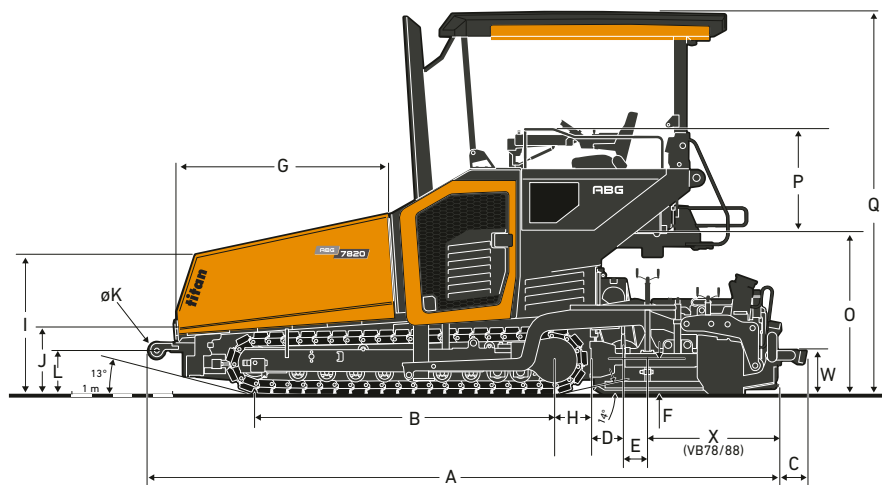
### ELECTRICAL SYSTEM

BATTERY VOLTAGE	V	24	24
-----------------	---	----	----

# TRACKED ASPHALT PAVERS

## DIMENSIONS [mm]

	ABG 6820	ABG 7820
A STANDARD	6 120	
SOFT DOCK	6 244	
B	3 000	
C	268	
D	275	
E	265	
F	360 ± 60	
G	2 151	
H	398	
I	1 385	
J	607	
K	160	
L	436	
M	770	
N	320	
O	1 615	
P	1 025	
Q UP	3 785	
DOWN	2 934	
R OPEN	3 256	
CLOSED	2 452	
S	3 169	
T	2 495	
U	300	
V	2 269	
W	438	
X	1 280	
Y	2 500	
Z	5 000	



# EQUIPMENT

## STANDARD EQUIPMENT

### Engine

- Volvo (Deutz) Diesel engine, EU Stage V

### Drive

- Electronic drive control
- Lifetime lubricated crawler track rollers
- Forged and hardened crawler track links
- Automatic track tensioner

### Material management

- Proportional conveyor sensors
- Four individual hydrostatic drives for conveyors and augers
- Reversible direction of auger rotation
- Hydraulic auger height adjustment
- Proportional ultrasonic sensor auger control

### Electrics and electronics

- Electronic Paver Management (EPM 3)
- ECO mode
- Settings Manager
- Service Interval Manager
- Adjustable and revolving main control panel at operator platform

- Two adjustable and revolving screed control panels
- Battery master switch
- Electric switch cabinet
- MATRIS
- Generator for electric screed heating

### Structure

- All-weather roof of GRP (glass-fibre reinforced plastic)
- Two seats, laterally extendable
- Anti-vandalism kit
- Near field mirrors at weather roof
- ABG Key

### Screed

- Split towing arms
- Screed lock
- Quick coupling system for vario screeds
- Hydraulic crown adjustment vario screeds

### Lights

- Operator's platform lighting
- Home light function

### Environmental

- Sound insulation

## OPTIONAL EQUIPMENT

### Material management

- Smart Dock
- Soft Dock
- Heavy push rollers
- Individual operating hopper wings
- Hydraulically operated front apron
- Auger quick lock system
- Heavy duty auger
- Protective half shells for auger shaft
- Auger extensions and additional auger bearings
- Heavy duty conveyor cover
- Reversible conveyor
- Central lubrication
- Front track scraper hydraulic
- Feeder stop

### Electrics and electronics

- 230 V power sockets
- Lateral emergency stop
- High ambient temperature fan
- CareTrack, GSM installation
- CareTrack, Satellite installation
- Pave Assist (Co-Pilot system)
- Smart View camera system
- Levelling equipment
- Transport case for EPM control panels
- On-board diagnostic function for manual screed heating bars
- White noise alarm

### Structure

- Deluxe seats with heating
- Front windscreen
- Tarpaulin side curtains for weather roof
- Custom colours
- Electrohydraulic powered weather roof
- Front ballast weight

### Screed

- Screed spacer blocks
- Screed assist
- Screed anti-climbing lock
- Screed load device
- Screed tensioning device
- Hydraulic height adjustment of extendable screed
- Special profiles VB 79, VB 89
- Hydraulically adjustable
- Power-Float screed end gates
- Heatable screed end gate
- Foldable screed walkway

### Lights

- Basic Kit Halogen
- Basic Kit LED
- Work Plus Kit LED
- Full Night Kit LED
- Warning beacons LED
- Two balloon lights LED

### Environmental

- Fume extractors
- Emulsion spraying system
- High performance spray cleaning unit
- Biodegradable hydraulic oil