

# ABG 4820

## ASPHALT PAVERS TRACKED

EU STAGE V



### A small machine with big potential

- Machine's size and weight enables transport with additional equipment
- Auto track tensioner for smooth paving starts\*
- Large hopper with front apron (option)
- High fuel efficiency

### Control with ease

- EPM3: intuitive control with a bird's eye view of a paver on the display
- Settings Manager to store and save customised settings
- Pave Assist with Thermal Profiling, Weather View and Material Manager
- A very low noise level simplifies communication with the paving team

### Highly efficient

- Powertrain components are perfectly harmonised for high efficiency
- Volvo (Deutz) Stage V engine offers unrivalled durability and performance
- Adaptive Eco Mode matches engine output to demand, resulting in up to 30% fuel savings
- Electronically adapted speed of the hydraulic cooling fan lowers noise and fuel consumption
- Grid power for heating the screed with e+ screed heat, no fuel + no CO<sub>2</sub>

### State-of-the-art service

- Service Interval Manager notifies the operator of required maintenance
- CareTrack advanced telematics system
- Service access from the platform provides ease of maintenance
- MATRIS provides expert analysis of machine operating activity

### Industry-leading screeds

- ABG designed screeds heat quickly
- The robust screed design produces a consistent, high-quality mat
- Easy screed control with the clear screed panel design
- Quick-coupling for easy vario screed extension assembly\*
- Fully hardened tamper bars significantly extend lifetime

*\*AN ABG EXCLUSIVE FEATURE*

# ABG 4820

## EU Stage V

ENGINE	ABG 4820	
MANUFACTURER	Volvo (Deutz)	
MODEL	D4J	
FUEL	Diesel	
OUTPUT	kW	98
	hp	133
AT ENGINE SPEED	r/min	2 200
COOLANT	Liquid	
FUEL TANK CAPACITY	l	180
EXHAUST EMISSION	EU Stage V	

### PAVING

OUTPUT (THEORETICAL)*	t/h	500
MAT THICKNESS (MAX)	mm	300

\*The actual paving output depends upon the mat thickness, the paving width and paving speed and will vary according to paving conditions prevailing on your jobsite.

### SPEED

PAVING (MAX)	m/min	20
TRANSPORT (MAX)	km/h	3.6

### UNDERCARRIAGE

LENGTH	mm	2 850
WIDTH (TRACK PLATES)	mm	300

### CONVEYOR

HOPPER CAPACITY	t	13.5
NUMBER OF CONVEYORS		2
CONVEYOR SPEED (MAX)	m/min	14

### AUGER

SPEED (MAX)	1/min	68
DIAMETER	mm	360

### OPERATING WEIGHTS\* OF SCREEDS IN KG AT WORKING WIDTH

ABG 4820	5 m	6 m	6.5 m
VB 78 ETC	3 528	-	5 150
VB 79 ETC	3 730	-	-
VB 88 ETC	-	3 820	-

\* Including auger extensions, channel plates, end gates

### DIMENSIONS

		ABG 4820
LENGTH WITH VARIO SCREED (WALKWAY UP)	mm	5 997
WIDTH	mm	2 532
HEIGHT	mm	2 917

### WEIGHT

TRACTOR UNIT	kg	12 470
--------------	----	--------

All weights are approx. weights without options.  
Weight of tractor without screed, with fuel tank half full, with continuous towing arms, 75 kg driver and weather roof included.

### MAX. ALLOWABLE GRADEABILITY

TRACTOR UNIT + SCREED	%	25
-----------------------	---	----

Applies to screed VB 78 2.5-5.0 m.  
When using extensions the max. allowable gradeability will be reduced.

### SOUND LEVEL

$L_{PA}$ Sound Pressure Level at Driver's Ear, acc. to ISO 11201	dB	79 (with VB 78, VB 79, VB 88, VB 89 screeds)
$L_{WA}$ Guaranteed Sound Power Level, acc. to Directive 2000/14/EC	dB	104 (with VB 78, VB 79, VB 88, VB 89 screeds)

### VIBRATION

HAND-ARM VIBRATION according to ISO 5349:2001	m/s <sup>2</sup>	<2.5
WHOLE BODY VIBRATION according to ISO 2631:1997	m/s <sup>2</sup>	<0.5

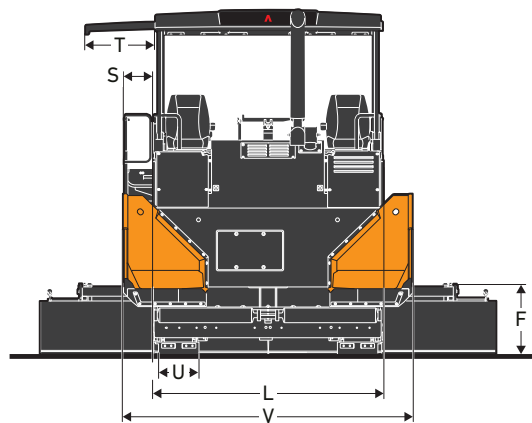
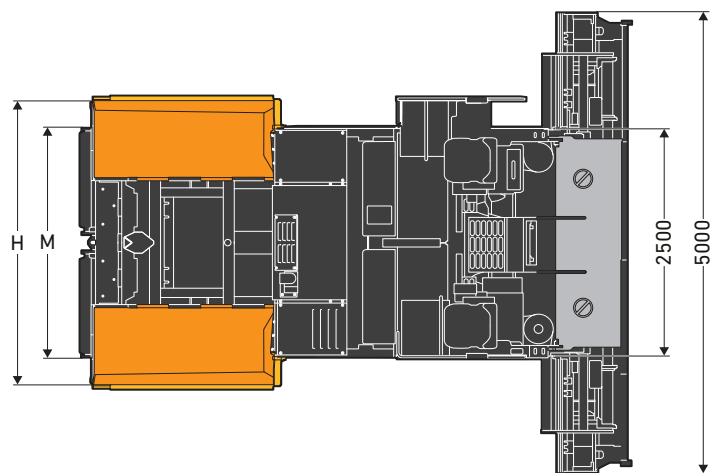
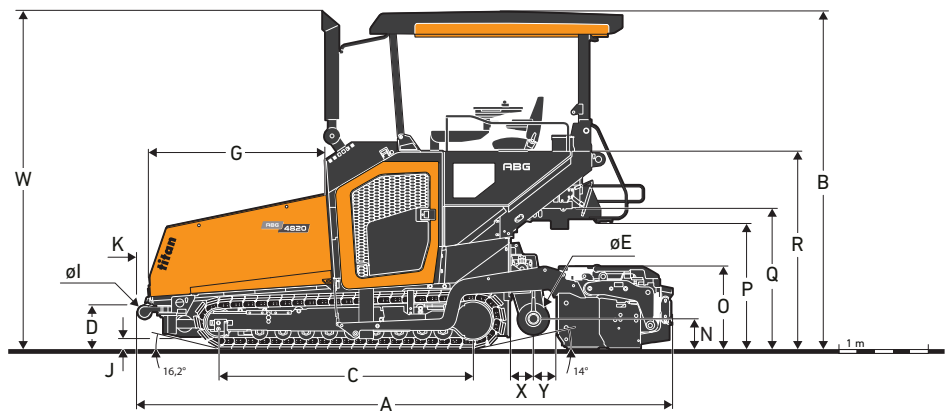
### ELECTRICAL SYSTEM

BATTERY VOLTAGE	V	24
-----------------	---	----

# TRACKED ASPHALT PAVERS

## DIMENSIONS [mm] ABG 4820

A	5 997
B	3 785
C	2 850
D	525
E	360
F	748
G	2 019
H	3 091
I	160
J	155
K	141
L	2 548
M	2 495
N	360 ± 60
O	939
P	1 440
Q	1 608
R	2 235
S	311
T	770
U	300
V OPEN	3 191
CLOSED	2 532
W	3 796
X	275
Y	265



# EQUIPMENT

## STANDARD EQUIPMENT

### Engine

- Volvo (Deutz) Diesel engine, EU Stage V

### Drive

- Electronic drive control
- Lifetime lubricated crawler track rollers
- Forged and hardened crawler track links
- Automatic track tensioner
- Bolt on rubber pads

### Material management

- Large truck push rollers with 160 mm Ø
- Four individual hydrostatic drives for conveyors and augers
- Reversible direction of auger rotation
- Proportional conveyor sensors

### Electronics

- Electronic Paver Management (EPM 3)
- ECO mode
- Settings Manager

- Service Interval Manager
- Adjustable and revolving control panels at operator platform
- Electric switch cabinet
- Battery master switch
- Two adjustable and revolving screed panels
- MATRIS

### Structure

- GRP all-weather roof
- Two seats, laterally extendable
- Anti-vandalism kit
- ABG Key

### Screed

- Screed lock
- Hydraulics for Vario screeds with tamper and vibration

### Lights

- Operators platform
- Home light function
- Six working lights (LED)

### Environmental

- Sound insulation

## OPTIONAL EQUIPMENT

### Material management

- Individual operating hopper wings
- Hydraulically operated front apron
- Reversible conveyor
- Hydraulic auger height adjustment
- Proportional Ultrasonic Sensor auger control
- Central lubrication
- Light truck push rollers with 110 mm Ø
- Protective half shells

### Electronics

- Levelling systems
- Additional sockets 230V
- Caretrack Advanced
- Pave Assist (Co-Pilot system)
- Smart View camera system
- Smart Dock
- Transport case for EPM control panels

### Structure

- Deluxe seats with heating
- Front windscreen
- Tarpaulin side curtains for weather roof

- Custom colour
- Automatic folding device for weather roof (electro-hydraulic)

### Screed

- Screed anti-climbing lock
- Screed assist
- Hydraulic height adjustment of extendable screeds
- Hydraulically adjustable Power-Float screed end gates
- Heatable screed end gates

### Lights

- 10 working lights (LED)
- Two additional rear lights (LED)
- Auger lighting
- Levelling indicator scale lighting
- Warning beacons

### Environmental

- Extractor for bituminous fumes
- Emulsion spraying system
- Heavy-duty spray cleaning gun
- Biodegradable hydraulic oil