

# CITYMIX



– de-icing of roads!

# EPOKE CITY MIX

## Technical data and dimensions

City Mix features a ball valve for connection of water, and the salt is added manually into the tank. The liquid pump features a three-way tap for liquid mixing, pumping to the spreader and emptying.

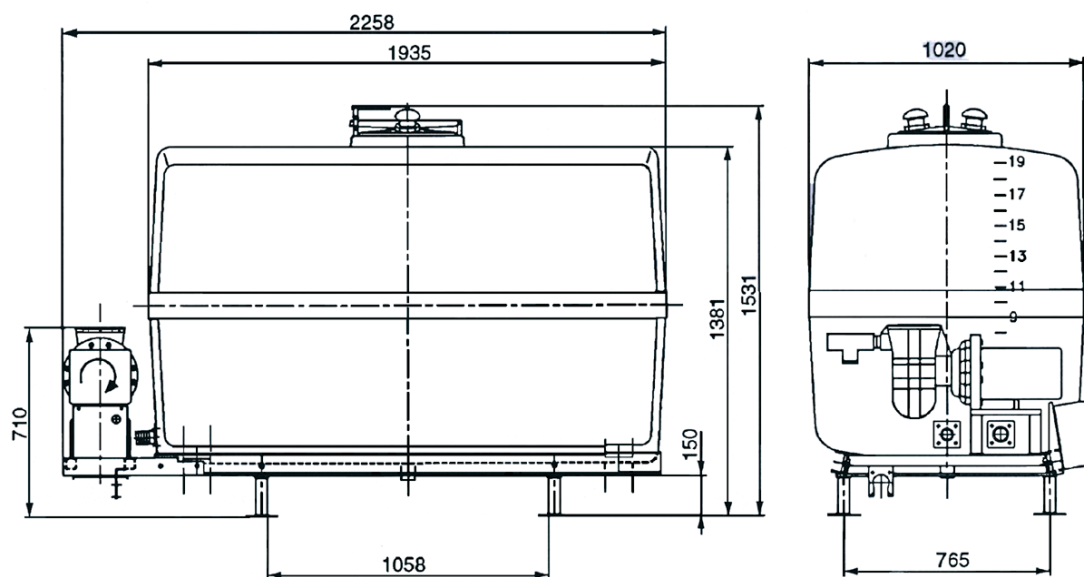
The system features mains connection and requires 3 x 380 V, 4,0 A or 3 x 220 V, 6,8 A.

Power consumption: 1.9 kW/h.

### Measurements and weight:

Height: 153 cm  
 Width: 102 cm  
 Length: 226 cm  
 Weight: 200 kg

The instructions manual enclosed with City Mix includes tables for correct mixing of liquids.



Mixing table NaCl (salt)				
Solution in %	A 1000 l solution requires		Solution freezing point	Solution density kg/liter
	liter of water	kg of NaCl		
20.0	917	238	-16.2°C	1.155
22.1	905	267	-17.5°C	1.172
23.3	899	284	-21.0°C	1.183



Epoke® A/S  
 Vejenvvej 50, Askov  
 DK-6600 Vejen  
 Tel. +45 76 96 22 00  
 Fax +45 75 36 38 67  
 epoke@epoke.dk  
 www.epoke.dk



In order to maintain the high and uniform product standard Epoke® A/S has been certified by Lloyd's register to ISO 9001:2008.  
 TLG B-3 approval  
 GS approval  
 E1 approval  
 RoHS directive  
 WEEE directive

